

# Using Volume Formulas

## Lesson 1-9

NAME \_\_\_\_\_

DATE \_\_\_\_\_

TIME \_\_\_\_\_



- ① What formula could you use to find the volume of this prism? Explain your answer.

---



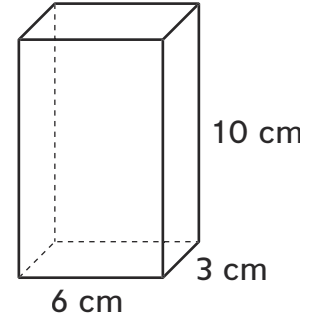
---



---



---



- ② What is the volume of the prism? \_\_\_\_\_

- ③ What other rectangular prisms would have the same volume as the one shown above? Fill in the dimensions below to show two possible answers.

Length	Width	Height

- ④ What formula could you use to find the volume of this prism? Explain your answer.

---



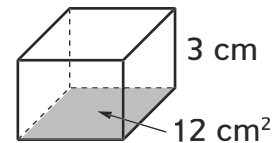
---



---



---



- ⑤ What is the volume of the prism? \_\_\_\_\_

- ⑥ What other rectangular prisms would have the same volume as the one shown above? Fill in the dimensions below to show two possible answers.

Area of the Base	Height